

## Northern Lights

### Setting Blocks and Finishing Directions

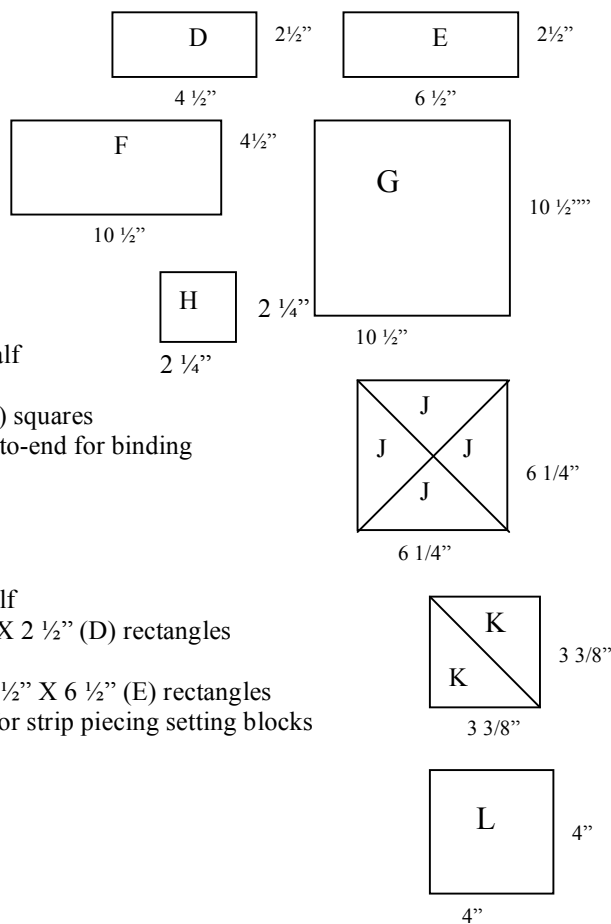
**Finished Block Size: 10"**

**Finished Quilt Size: 84" X 84"**

Fabric	Yardage
Turquoise	7/8 yard
Yellow	3/4 yard
Assorted yellows, oranges, red, etc.	1/4 yd scraps
Navy	4 1/2 yards

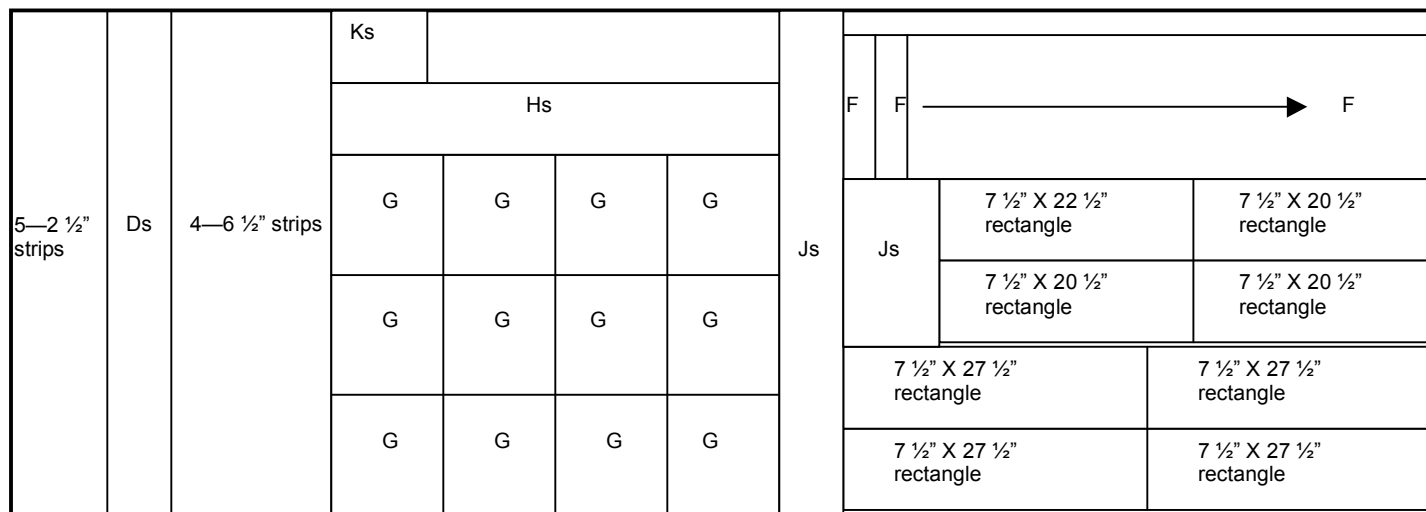
#### Cutting

- 10--2 1/2" strips, cut two strips in half
- 1--4" strip, crosscut into 8--4" (L) squares
- 9--2 1/4" strips, sewn together end-to-end for binding
- 32--2 1/4" (H) squares
- 5--2 1/2" strips, cut two strips in half
- 3--2 1/2" strips, cut into 24--4 1/2" X 2 1/2" (D) rectangles
- 4--6 1/2" strips
  - cut 1 1/2 strips into 24--2 1/2" X 6 1/2" (E) rectangles
  - use the remaining strips for strip piecing setting blocks
- 12--4 1/2" X 10 1/2" (F) rectangles
- 12--10 1/2" (G) squares
- 32--2 1/4" (H) squares
- 40 (J) triangles
- 16 (K) triangles
- 4--7 1/2" X 20 1/2" rectangles
- 4--7 1/2" X 27 1/2" rectangles



#### Navy Fabric Cutting Diagram

*selvage*

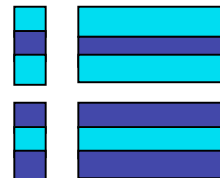


*selvage*

#### Sewing Directions for Full and Half Setting Blocks

1. Sew a turquoise 2 1/2" strip to either side of a navy 2 1/2" strip. Press seams toward navy. Make one other full strip set. Using one navy half strip and two turquoise half strips, make a half strip set for a total of 2 1/2 strip sets. Cross cut into 36--2 1/2" wide units.

2. Sew a navy 2 1/2" strip to either side of a turquoise 2 1/2" strip. Press toward navy. Using two navy half strips and one turquoise half strip, make one half strip set for a total of 1 1/2 strip sets. Crosscut into 24--2 1/2" wide units.



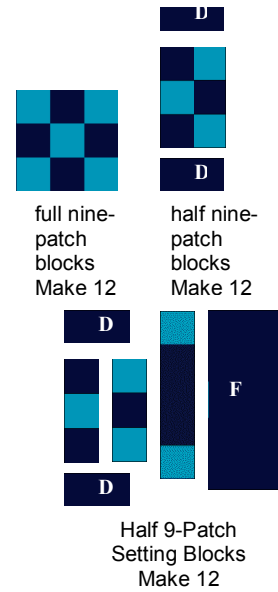
3. Using strip sets, make a total of 12 full nine-patch units.

4. Referring to half nine-patch block diagram, sew together two strip sets and two (D) rectangles. Press seams toward navy. Make a total of 12 half-block units.

5. Sew a turquoise  $2\frac{1}{2}$ " strip to either side of a navy  $6\frac{1}{2}$ " wide strip. Press seams toward navy. Make three strip sets. Cross cut into  $36-2\frac{1}{2}$ " wide strips.

6. Using navy (E) rectangles and strip units, lay out block according to diagram. Attach navy (E) rectangles to top and bottom, pressing seams toward navy. Then attach strip units to sides. Make a total of 12 Full Setting blocks.

7. Referring to Half 9-Patch Setting Block Diagram, sew strip set to half 9-patch blocks, then sew on (F) rectangles. Press toward navy. Make a total of 12 blocks.



**Quilt Assembly**

8. Lay out quilt according to Quilt Assembly Diagram. Make sure that the half 9-patch setting blocks are oriented in the correct direction so that the turquoise squares form a chain across the quilt. The half 9-patch blocks will alternate with the solid navy (G) squares. Join the blocks into rows; then join the rows together, alternating directions of the seams so that they nest together. Press long seams in one direction.

**Border Assembly**

9. Construct 16—four patches using the navy (H) squares and the (H) squares in assorted scrap fabrics from the quilt.

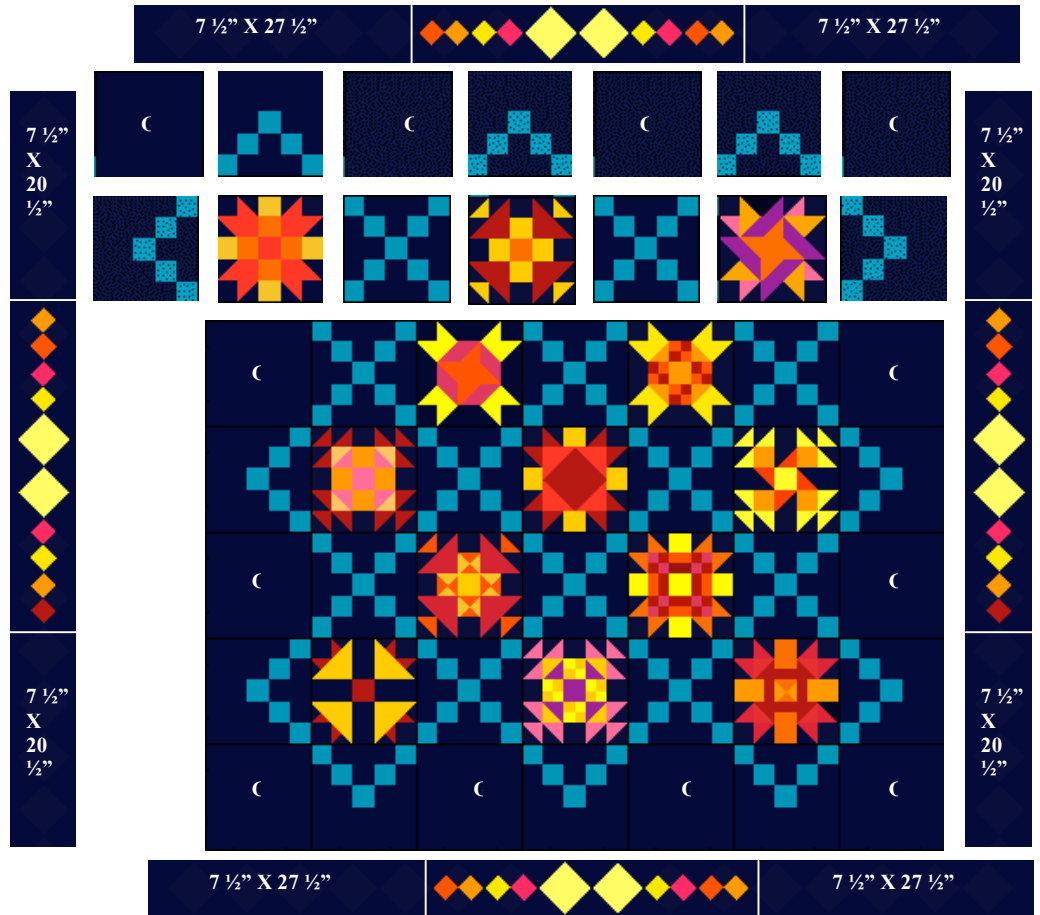


4-Patch Blocks Make 16

10. Referring to Diamond Border Assembly Diagram, assemble border using four patch units, yellow (L) squares, navy (J) triangles, and navy (K) triangles.

11. Sew the  $7\frac{1}{2}$  X  $20\frac{1}{2}$ " navy strips to either side of two of the Diamond Borders. Press seams toward the solid navy strips. Attach to the sides of the quilt, adjusting length is necessary.

12. Sew the  $7\frac{1}{2}$ " X  $27\frac{1}{2}$ " navy strips to either side of the remaining two diamond borders. Attach to the top and bottom edges of the quilt, adjusting length if necessary.

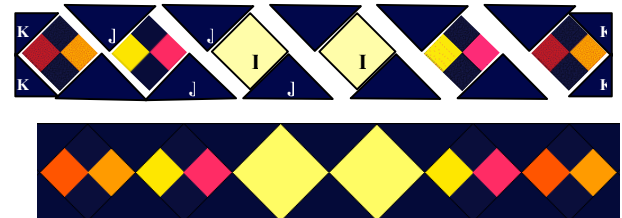


Quilt Assembly Diagram

**Finishing**

13. Layer top, batting, and backing. Quilt as desired.

14. Join yellow  $2\frac{1}{4}$ " binding strips end to end and attach to quilt.



Diamond Border Assembly Diagram Make 4

